

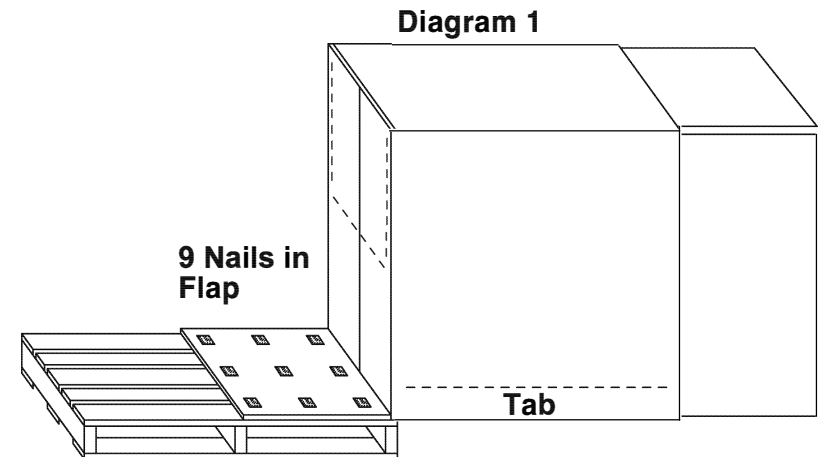
# 1008 kg max



## 4 WALL HAZ MAT

### SET UP & CLOSURE INSTRUCTIONS

1. SQUARE UP BOX
2. NAIL BOTTOM FLAP A WITH 9 NAILS AS SHOWN IN DIAGRAM 1
3. FOLD IN BOTTOM FLAP B
4. FOLD IN FLAPS C & D AND POSITION BOX IN UPRIGHT POSITION
5. INSERT POLY LINER
6. WHEN FULL, CINCH LINER & TWIST CLOCK-WISE ONE FULL REVOLUTION
7. SECURE LINER CLOSED WITH 2" WIDE 3M #375 PACKING TAPE (MIN. 12" LONG)
8. SEAL TOP OF BOX ALONG CENTER SEAM WITH 3 STRANDS OF 2" WIDE 3M #375 PACKING TAPE (MIN. OVERHANG OF 6" DOWN EACH SIDE OF BOX)



When using for lab pack waste, reference CFR 49 173.12, Maximum Gross Weight is 452 pounds (205 kg)