

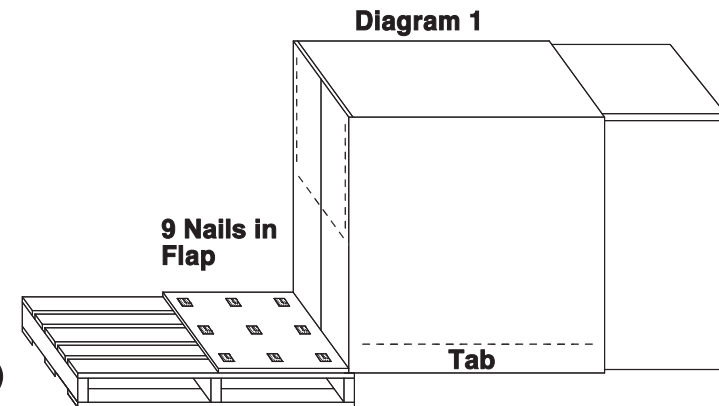
# THE Heavyweight Haz-Box


1-800-CUBIC-YD

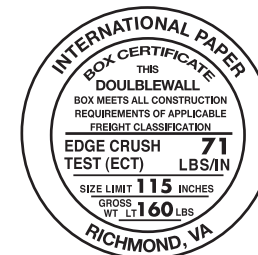


## SET UP & CLOSURE INSTRUCTIONS

1. SQUARE UP BOX
2. NAIL BOTTOM FLAP A WITH 9 NAILS AS SHOWN IN DIAGRAM 1
3. FOLD IN BOTTOM FLAP B
4. FOLD IN FLAPS C & D AND POSITION BOX IN UPRIGHT POSITION
5. INSERT POLY LINER
6. WHEN FULL, CINCH LINER & TWIST CLOCK-WISE ONE FULL REVOLUTION
7. SECURE LINER CLOSED WITH 2" WIDE 3M #375 PACKING TAPE (MIN. 12" LONG)
8. SEAL TOP OF BOX ALONG CENTER SEAM WITH 3 STRANDS OF 2" WIDE 3M #375 PACKING TAPE (MIN. OVERHANG OF 6" DOWN EACH SIDE OF BOX)
9. SECURE THE IBC TO THE PALLET USING (4) 3/4" STEEL STRAPS POSITIONING 2 PARALLEL TO THE PALLET ENTRY AND 2 PERPENDICULAR.



 **11G/Y/ \*\* \*\***  
**USA/**  
**3429/1814**



**HEAVYWEIGHT HAZ**